

Red Line Lasermodule

LB635-2.5-3(16x45)

Order Number: 70103090

Main Parameters (*)	min	typ	max	Unit
Wavelength		635		nm
Optical Output Power		2.5		mW
Operating Voltage	2.7	3	3.3	V DC
Operating Current	20	40	55	mA
Operating Temperature	-20		50	°C
Storage Temperature	-40		80	°C

Optical Parameters

Beam Shape	Line
Laser Class	1
Divergence	0.3mrad
Fan Angle	90°
Line Thickness	<1.5mm@3m
Operating Distance	3m
Optics	glass lens AR coated
Laser technology	diode
Focus	fixed (3000mm)

Technical Parameters

Lifetime	>5000h
RoHS	yes

Electrical Parameters

Potential of Housing	isolated
Power Supply	LFNT-3

Mechanical Parameters

Size	Ø16x45mm
Material	aluminium
Cable length	100mm
Wire type	26AWG, 0,14mm ²
Output Aperture	6.8mm
Housing Color	black
Weight	22.7g

(*) Over the complete operating temperature range

Features





- Fan angle 90°
- Laser Class 1
- Operating Voltage 3V DC
- Fixed focus
- Glas lenses anti reflex coated

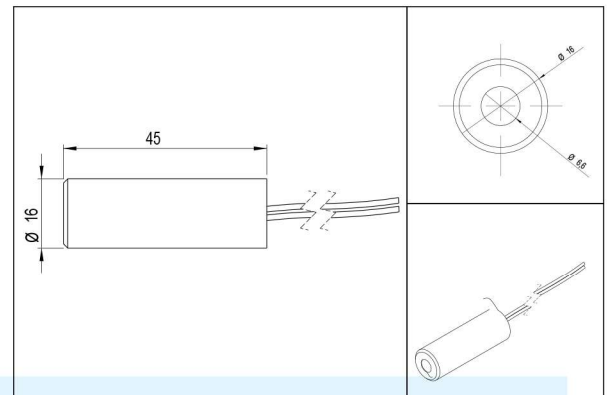
Picture



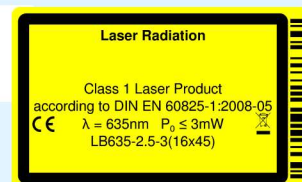
Cable Colors

Ground		black	GND
Positive		red	2.7 - 3.3, typ 3V DC

Drawing



Safety Label



Revision

REV 4 | 09-JUN-2015