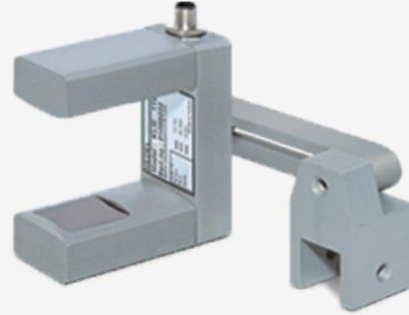


Slot type Infrared sensors with voltage output (KLM 119-I)

The sensor is purposed to read the linear movement of an object (tracking position of a border). It allows using all types of materials. The surrounding illumination and the material darkness or lightness have no effect on it. The sensor has a good dividing ability - 0.5mm. Moving the object to the sensitive zone of the sensor changes the output analog signal in the interval from 0 to 5V proportionally to the movement. When the object is outside the sensitive zone, the analog signal has the maximal value of 5V. The analog signal is on the minimum of 0V when the object covers all the sensitive zone of the slot.



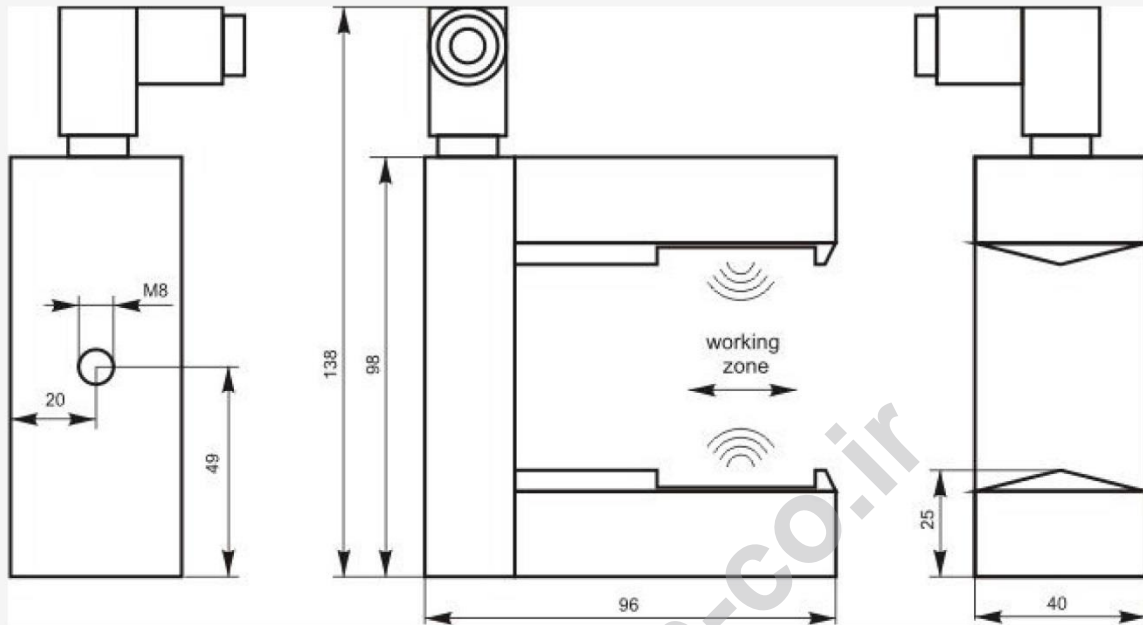
Technical data

- **Output type:** voltage
- **Output voltage:** 0...5V
- **Sensitivity:** 0.5mm
- **Working area in slot:** 20mm
- **Time for output voltage establishment on the first switch on:** 500ms
- **Time for measurement and establishment of output voltage:** 10ms
- **Supply voltage:** 12V DC
- **Supply voltage ripple:** up to 10%
- **No load current:** <10mA
- **Ambient temperature(operating):** -10...+55 °C
- **Humidity:** RH 80%, with no condensation
- **Degree of protection:** IP53
- **Shock resistance** 49 m/s² /5g/
- **Housing material:** Al
- **Cable isolation:** PUR, PVC

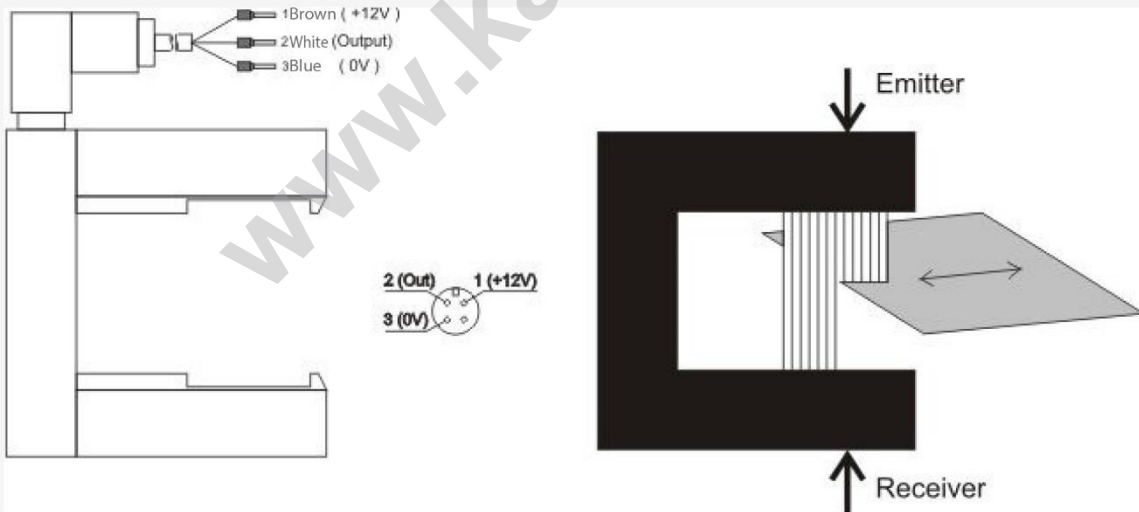


İkitelli Org.San.Bölgesi
Metal İş Sanayi Sitesi 19.Blok No:22/24
Tel:+90 212 549 99 10 İstanbul/Türkiye
www.medelektronik.com

Overall dimensions



Connecting circuit



General conditions for service use of ultrasonic sensors:

Ultrasonic sensors are intended to work in normal weather conditions, in an environment with no aggressive liquids and gases to the body materials and to the cable.



İkitelli Org.San.Bölgesi
Metal İş Sanayi Sitesi 19.Blok No:22/24
Tel:+90 212 549 99 10 İstanbul/Türkiye
www.medelektronik.com