

3000 N SERIES ROTARY JOINT



General Purpose
 Water, Hot Water
 1/4" (DN08) - 2" (DN50)

- Single and duoflow design
- Balanced mechanical seal
- Easy replacement of sealing parts
- For poor water quality
- Threaded, flanged shafts
- Carbon steel housing
- Stainless steel shaft (AISI304)
- Silicon carbide sealing components

*** For further information please contact Rototech or local representative.

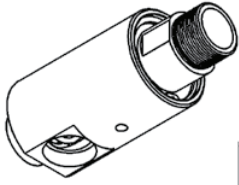
Working Conditions

Max. Water Pressure & Temperature	:	50 bar - 60°C
Max. Hot Water Pressure & Temperature	:	5 bar - 90°C
Max. Speed / RPM	:	1/4" - 1/2" 3.500 rpm/min
		3/4" - 1" 3.000 rpm/min
		1 1/4" - 1 1/2" 2.750 rpm/min
		2" 1.250 rpm/min



3000 N Series 1/4" (DN08) - 2" (DN50) Single Flow Rotary Joints

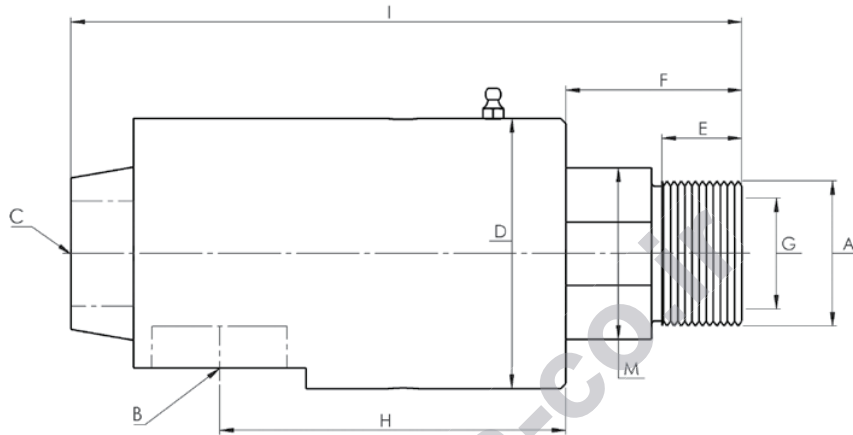
Threaded Shaft



Single Flow Rotary Joint

Single flow joints are used when supply and return lines are connected to opposite side of the cylinder.

* Using see page 28

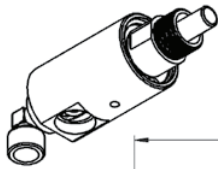


* Custom sized manufacturing are available

Size DN	B	Model No	A Shaft Type	D	F	E	G	H	C	I	M	Kg
08	1/4"	3025N-836-102	1/4" NPT - RH	38	24	10	6	47		83	22	0,45
		3025N-836-103	1/4" NPT - LH									
		3025N-936-202	1/4" BSP - RH									
		3025N-936-203	1/4" BSP - LH									
10	3/8"	3037N-836-104	3/8" NPT - RH	38	24	10	10	47	3/8"	92	22	0,45
		3037N-836-105	3/8" NPT - LH									
		3037N-936-204	3/8" BSP - RH									
		3037N-936-205	3/8" BSP - LH									
15	1/2"	3050N-836-106	1/2" NPT - RH	53	29	14	15	57	3/8"	116	29	1,10
		3050N-836-107	1/2" NPT - LH									
		3050N-936-206	1/2" BSP - RH									
		3050N-936-207	1/2" BSP - LH									
20	3/4"	3075N-836-108	3/4" NPT - RH	58	35	15	20	63	1/2"	130	34	1,40
		3075N-836-109	3/4" NPT - LH									
		3075N-936-208	3/4" BSP - RH									
		3075N-936-209	3/4" BSP - LH									
25	1"	3100N-836-110	1" NPT - RH	68	39	18	25	72	3/4"	149	40	2,35
		3100N-836-111	1" NPT - LH									
		3100N-936-210	1" BSP - RH									
		3100N-936-211	1" BSP - LH									
32	1 1/4"	3125N-836-112	1 1/4" NPT - RH	78	51	23	32	100	1"	186	49.5	3,30
		3125N-836-113	1 1/4" NPT - LH									
		3125N-936-212	1 1/4" BSP - RH									
		3125N-936-213	1 1/4" BSP - LH									
40	1 1/2"	3150N-836-114	1 1/2" NPT - RH	88	58	27	40	104	1 1/4"	213	59	7,00
		3150N-836-115	1 1/2" NPT - LH									
		3150N-936-214	1 1/2" BSP - RH									
		3150N-936-215	1 1/2" BSP - LH									
50	2"	3200N-836-116	2" NPT - RH	118	60	27	50	123	1 1/2"	243	69	10,70
		3200N-836-117	2" NPT - LH									
		3200N-936-216	2" BSP - RH									
		3200N-936-217	2" BSP - LH									

3000 N Series 1/2" (DN15) - 2" (DN50) Duo Flow Rotary Joints

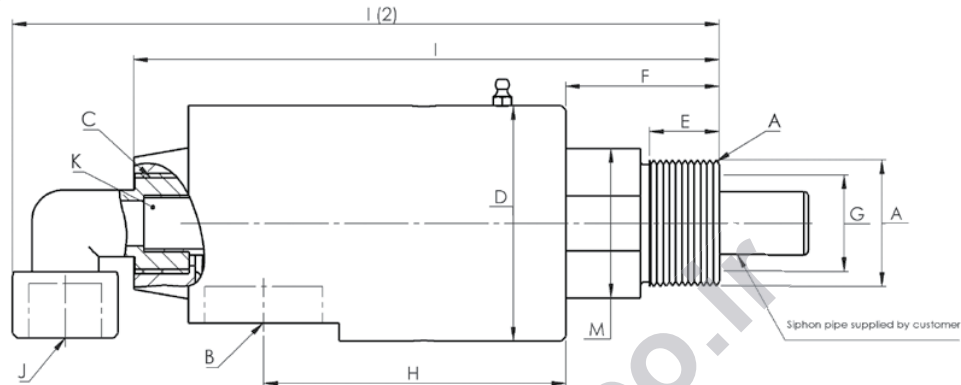
Threaded Shaft



Duo Flow Rotary Joint

Dual flow joints are used when supply and return lines are connected to same side of the cylinder.

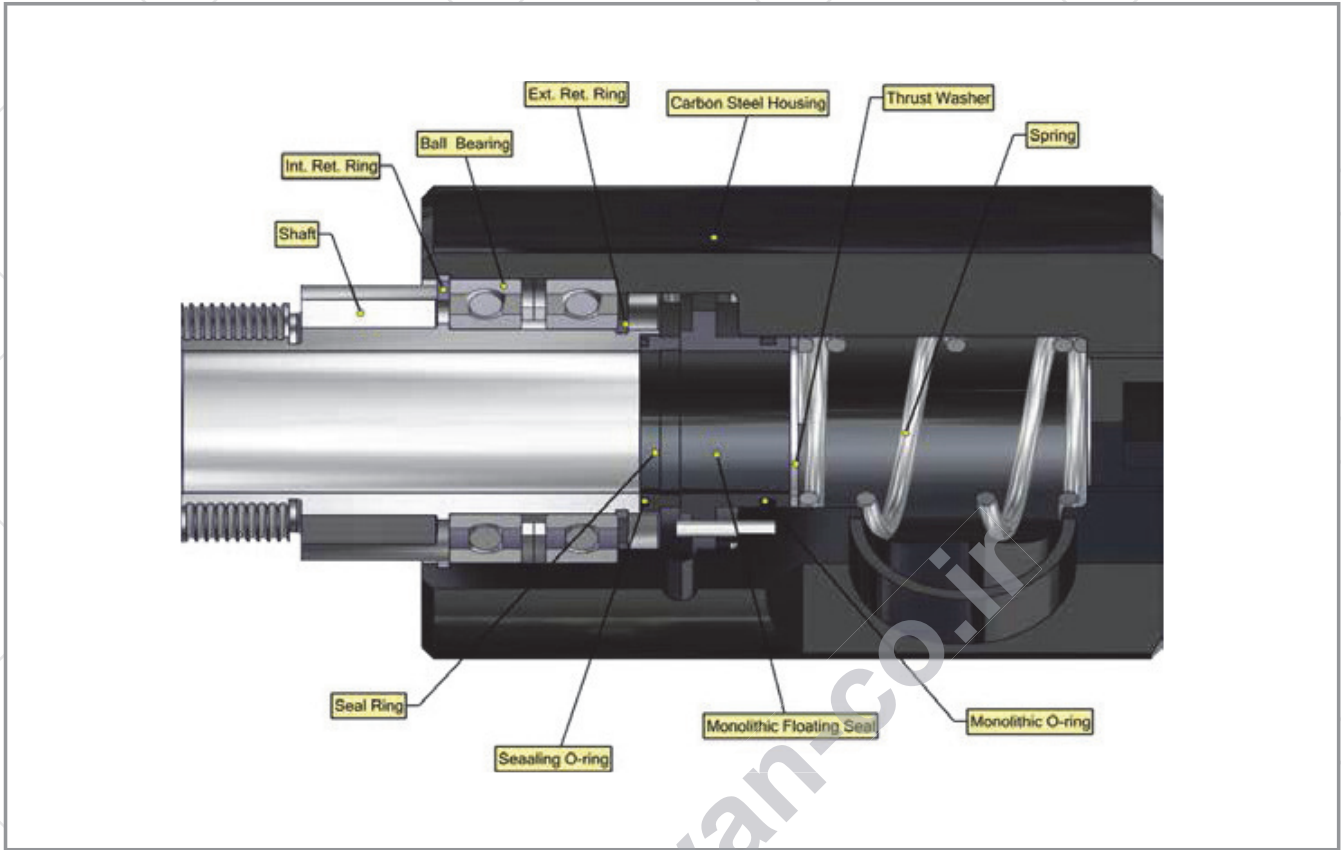
* Using see page 28



Siphon Systems (K):
 Stationary and rotating siphon systems are available.

* Custom sized manufacturing are available

Size DN	B	J	Model No	A Shaft Type	D	I(2)	F	E	G	H	C	K	I	M	Kg
15	1/2"	3/8"	3050-836-106 D	1/2" NPT - RH	53	145	29	14	15	57	3/8"	1/8"	116	29	1,25
			3050-836-107 D	1/2" NPT - LH											
			3050-936-206 D	1/2" BSP - RH											
			3050-936-207 D	1/4" BSP - LH											
20	3/4"	1/2"	3075-836-108 D	3/4" NPT - RH	58	165	35	15	20	63	1/2"	1/4"	130	34	1,65
			3075-836-109 D	3/4" NPT - LH											
			3075-936-208 D	3/4" BSP - RH											
			3075-936-209 D	3/4" BSP - LH											
25	1"	1/2"	3100-836-110 D	1" NPT - RH	68	191	39	18	25	72	3/4"	3/8"	149	40	2,50
			3100-836-111 D	1" NPT - LH											
			3100-936-210 D	1" BSP - RH											
			3100-936-211 D	1" BSP - LH											
32	1 1/4"	3/4"	3125-836-112 D	1 1/4" NPT - RH	78	234	51	23	32	100	1"	1/2"	186	49,5	3,50
			3125-836-113 D	1 1/4" NPT - LH											
			3125-936-212 D	1 1/4" BSP - RH											
			3125-936-213 D	1 1/4" BSP - LH											
40	1 1/2"	1"	3150-836-114 D	1 1/2" NPT - RH	88	253	58	27	40	104	1 1/4"	3/4"	213	59	7,25
			3150-836-115 D	1 1/2" NPT - LH											
			3150-936-214 D	1 1/2" BSP - RH											
			3150-936-215 D	1 1/2" BSP - LH											
50	2"	1"	3200-836-116 D	2" NPT - RH	118	298	60	27	50	123	1 1/2"	1"	243	69	10,70
			3200-836-117 D	2" NPT - LH											
			3200-936-216 D	2" BSP - RH											
			3200-936-217 D	2" BSP - LH											



Model	3025 N	3037 N	3050 N	3075 N	3100 N	3125 N	3150 N	3200 N
Cartridge	3025N-C BSP-RH	3037N-C BSP-RH	3050N-C BSP-RH	3075N-C BSP-RH	3100N-C BSP-RH	3125N-C BSP-RH	3150N-C BSP-RH	3200N-C BSP-RH
	3025N-C BSP-LH	3037N-C BSP-LH	3050N-C BSP-LH	3075N-C BSP-LH	3100N-C BSP-LH	3125N-C BSP-LH	3150N-C BSP-LH	3200N-C BSP-LH
	3025N-C NPT-RH	3037N-C NPT-RH	3050N-C NPT-RH	3075N-C NPT-RH	3100N-C NPT-RH	3125N-C NPT-RH	3150N-C NPT-RH	3200N-C NPT-RH
	3025N-C NPT-LH	3037N-C NPT-LH	3050N-C NPT-LH	3075N-C NPT-LH	3100N-C NPT-LH	3125N-C NPT-LH	3150N-C NPT-LH	3200N-C NPT-LH
T-1	3025N-336-1	3037N-336-1	3050N-336-1	3075N-336-1	3100N-336-1	3125N-336-1	3150N-336-1	3200N-336-1
T-2	3025N-336-2	3037N-336-2	3050N-336-2	3075N-336-2	3100N-336-2	3125N-336-2	3150N-336-2	3200N-336-2



Cartridge

- Shaft
- Ball bearing (2 pcs.)
- Seal ring
- Seal o-ring
- Monolithic Ring
- Monolithic o-ring
- Spacer
- Spring



T-1

- Seal Ring
- Seal O-ring
- Monolithic Ring
- Monolithic O-ring
- Washer
- Spring



T-2

- Seal Ring
- Seal O-ring
- Monolithic Ring
- Monolithic O-ring