

## 3000 PAS SERIES ROTARY JOINT



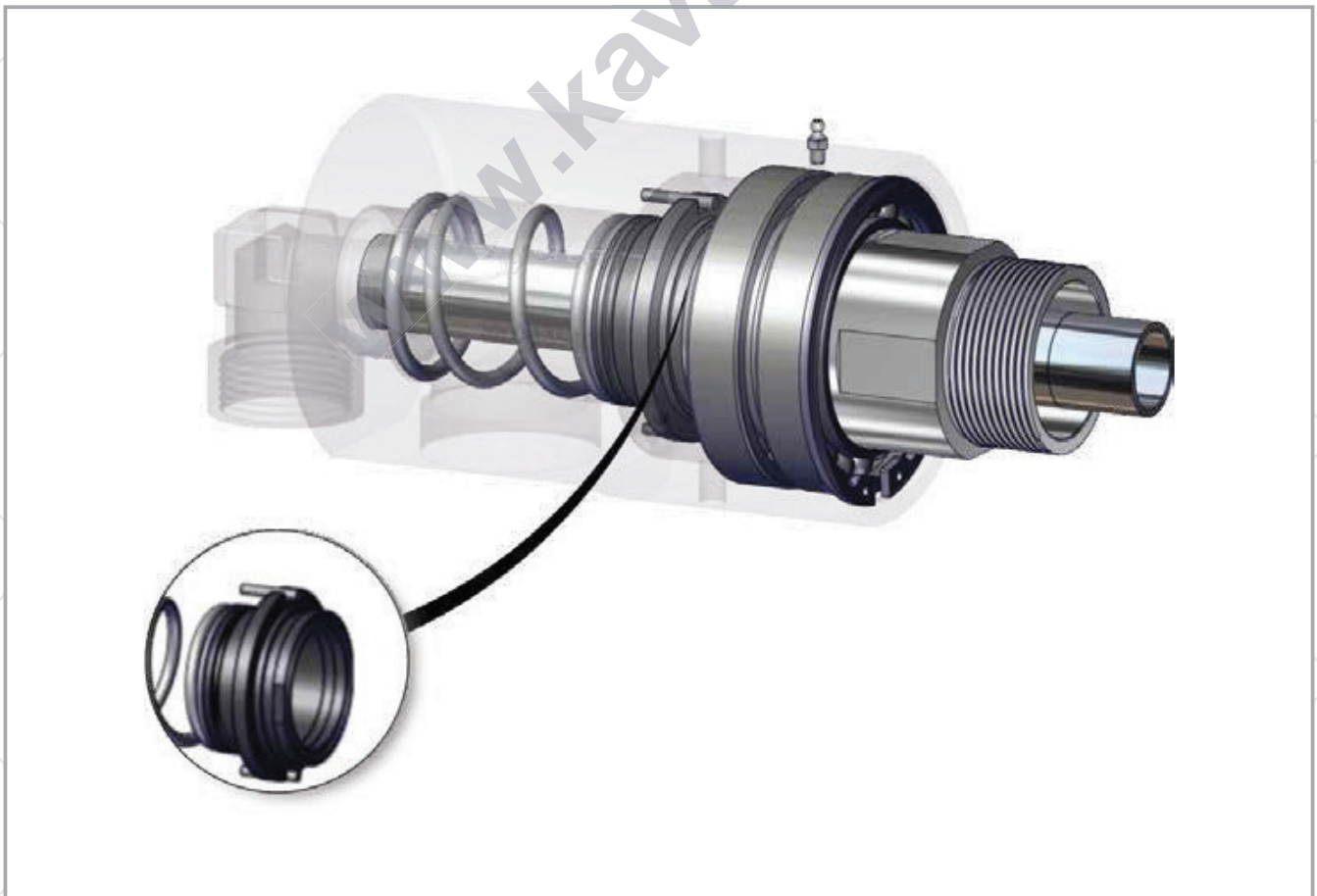
**General Purpose**  
 Water, Hot Water, Food Industry  
 1/4" (DN08) - 2" (DN50)

- Single and duoflow design
- Balanced mechanical seal
- Easy replacement of sealing parts
- For poor water quality
- Threaded, flanged shafts
- Stainless steel housing
- Stainless steel shaft (AISI304)
- Silicon carbide sealing components

\*\*\* For further information please contact Rototech or local representative.

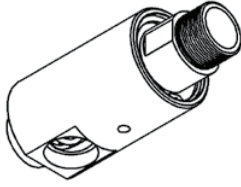
### Working Conditions

Max. Water Pressure & Temperature	:	50 bar - 60°C
Max. Hot Water Pressure & Temperature	:	5 bar - 90°C
Max. Speed / RPM	:	1/4" - 1/2"    3.500 rpm/min
		3/4" - 1"    3.000 rpm/min
		1 1/4" - 1 1/2"    2.750 rpm/min
		2"    1.250 rpm/min



### 3000 PAS Series 1/4" (DN08) - 2" (DN50) Single Flow Rotary Joints

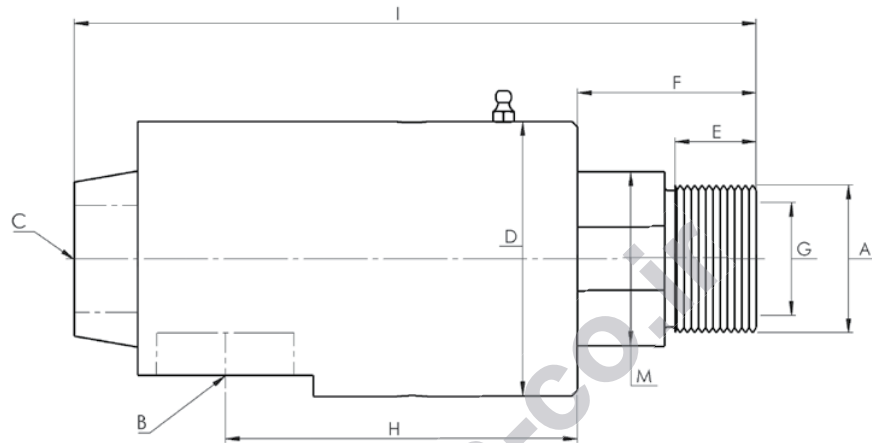
Threaded Shaft



Single Flow Rotary Joint

Single flow joints are used when supply and return lines are connected to opposite side of the cylinder.

\* Using see page 28

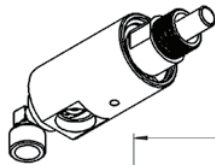


\* Custom sized manufacturing are available

Size DN	B	Model No	A Shaft Type	D	F	E	G	H	C	I	M	Kg
08	1/4"	3025-036-102	1/4" NPT - RH	38	24	10	6	47		83	22	0,45
		3025-036-103	1/4" NPT - LH									
		3025-436-202	1/4" BSP - RH									
		3025-436-203	1/4" BSP - LH									
10	3/8"	3037-036-104	3/8" NPT - RH	38	24	10	10	47	3/8"	92	22	0,45
		3037-036-105	3/8" NPT - LH									
		3037-436-204	3/8" BSP - RH									
		3037-436-205	3/8" BSP - LH									
15	1/2"	3050-036-106	1/2" NPT - RH	53	29	14	15	57	3/8"	116	29	1,10
		3050-036-107	1/2" NPT - LH									
		3050-436-206	1/2" BSP - RH									
		3050-436-207	1/2" BSP - LH									
20	3/4"	3075-036-108	3/4" NPT - RH	58	35	15	20	63	1/2"	130	34	1,40
		3075-036-109	3/4" NPT - LH									
		3075-436-208	3/4" BSP - RH									
		3075-436-209	3/4" BSP - LH									
25	1"	3100-036-110	1" NPT - RH	68	39	18	25	72	3/4"	149	40	2,35
		3100-036-111	1" NPT - LH									
		3100-436-210	1" BSP - RH									
		3100-436-211	1" BSP - LH									
32	1 1/4"	3125-036-112	1 1/4" NPT - RH	78	51	23	32	100	1"	186	49.5	3,30
		3125-036-113	1 1/4" NPT - LH									
		3125-436-212	1 1/4" BSP - RH									
		3125-436-213	1 1/4" BSP - LH									
40	1 1/2"	3150-036-114	1 1/2" NPT - RH	88	58	27	40	104	1 1/4"	213	59	7,00
		3150-036-115	1 1/2" NPT - LH									
		3150-436-214	1 1/2" BSP - RH									
		3150-436-215	1 1/2" BSP - LH									
50	2"	3200-036-116	2" NPT - RH	118	60	27	50	123	1 1/2"	243	69	10,70
		3200-036-117	2" NPT - LH									
		3200-436-216	2" BSP - RH									
		3200-436-217	2" BSP - LH									

### 3000 PAS Series 1/2" (DN15) - 2" (DN50) Duo Flow Rotary Joints

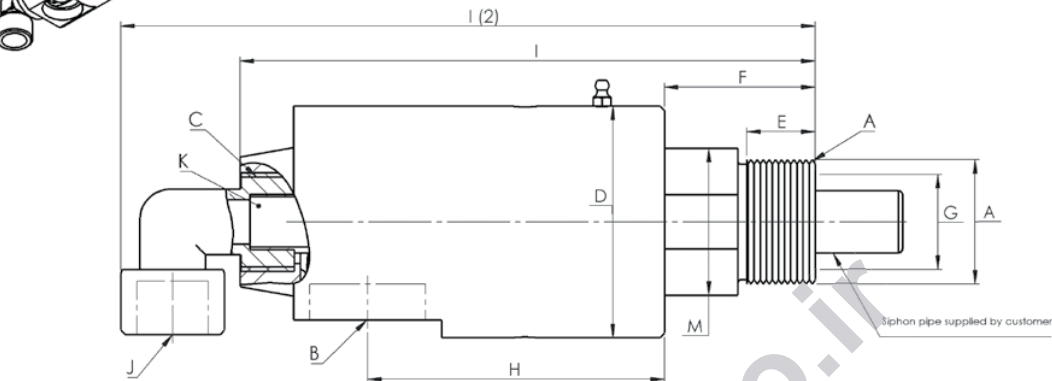
Threaded Shaft



Duo Flow Rotary Joint

Dual flow joints are used when supply and return lines are connected to same side of the cylinder.

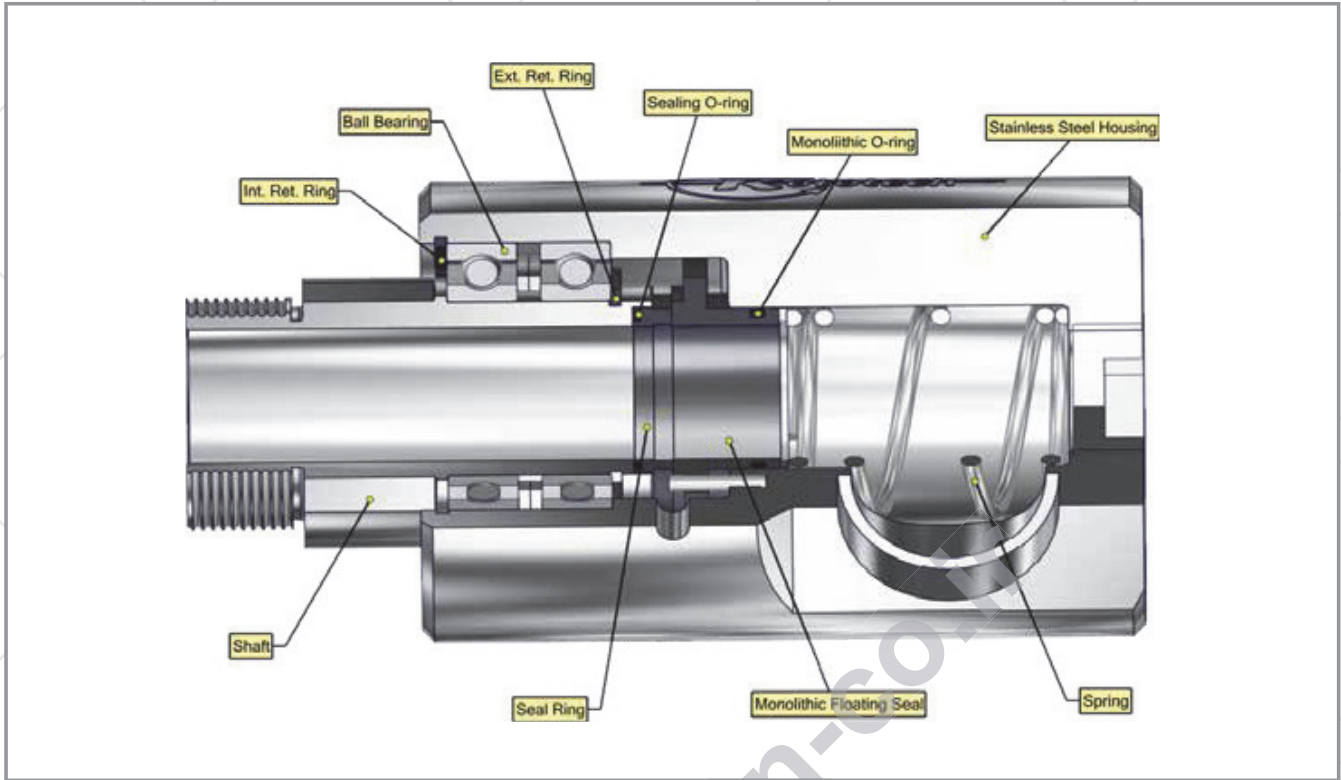
\* Using see page 28



**Siphon Systems (K):**  
 Stationary and rotating siphon systems are available.

\* Custom sized manufacturing are available

Size DN	B	J	Model No	A Shaft Type	D	I(2)	F	E	G	H	C	K	I	M	Kg
15	1/2"	3/8"	3050-036-106 D	1/2" NPT - RH	53	145	29	14	15	57	3/8"	1/8"	116	29	1,25
			3050-036-107 D	1/2" NPT - LH											
			3050-436-206 D	1/2" BSP - RH											
			3050-436-207 D	1/4" BSP - LH											
20	3/4"	1/2"	3075-036-108 D	3/4" NPT - RH	58	165	35	15	20	63	1/2"	1/4"	130	34	1,65
			3075-036-109 D	3/4" NPT - LH											
			3075-436-208 D	3/4" BSP - RH											
			3075-436-209 D	3/4" BSP - LH											
25	1"	1/2"	3100-036-110 D	1" NPT - RH	68	191	39	18	25	72	3/4"	3/8"	149	40	2,50
			3100-036-111 D	1" NPT - LH											
			3100-436-210 D	1" BSP - RH											
			3100-436-211 D	1" BSP - RH											
32	1 1/4"	3/4"	3125-036-112 D	1 1/4" NPT - RH	78	234	51	23	32	100	1"	1/2"	186	49,5	3,50
			3125-036-113 D	1 1/4" NPT - LH											
			3125-436-212 D	1 1/4" BSP - RH											
			3125-436-213 D	1 1/4" BSP - LH											
40	1 1/2"	1"	3150-036-114 D	1 1/2" NPT - RH	88	253	58	27	40	104	1 1/4"	3/4"	213	59	7,25
			3150-036-115 D	1 1/2" NPT - LH											
			3150-436-214 D	1 1/2" BSP - RH											
			3150-436-215 D	1 1/2" BSP - LH											
50	2"	1"	3200-036-116 D	2" NPT - RH	118	298	60	27	50	123	1 1/2"	1"	243	69	10,70
			3200-036-117 D	2" NPT - LH											
			3200-436-216 D	2" BSP - RH											
			3200-436-217 D	2" BSP - LH											



Model	3025 PAS	3037 PAS	3050 PAS	3075 PAS	3100 PAS	3125 PAS	3150 PAS	3200 PAS
Cartridge	3025PAS-C BSP-RH	3037PAS-C BSP-RH	3050PAS-C BSP-RH	3075PAS-C BSP-RH	3100PAS-C BSP-RH	3125PAS-C BSP-RH	3150PAS-C BSP-RH	3200PAS-C BSP-RH
	3025PAS-C BSP-LH	3037PAS-C BSP-LH	3050PAS-C BSP-LH	3075PAS-C BSP-LH	3100PAS-C BSP-LH	3125PAS-C BSP-LH	3150PAS-C BSP-LH	3200PAS-C BSP-LH
	3025PAS-C NPT-RH	3037PAS-C NPT-RH	3050PAS-C NPT-RH	3075PAS-C NPT-RH	3100PAS-C NPT-RH	3125PAS-C NPT-RH	3150PAS-C NPT-RH	3200PAS-C NPT-RH
	3025PAS-C NPT-LH	3037PAS-C NPT-LH	3050PAS-C NPT-LH	3075PAS-C NPT-LH	3100PAS-C NPT-LH	3125PAS-C NPT-LH	3150PAS-C NPT-LH	3200PAS-C NPT-LH
T-1	3025PAS-336-1	3037PAS-336-1	3050PAS-336-1	3075PAS-336-1	3100PAS-336-1	3125PAS-336-1	3150PAS-336-1	3200PAS-336-1
T-2	3025PAS-336-2	3037PAS-336-2	3050PAS-336-2	3075PAS-336-2	3100PAS-336-2	3125PAS-336-2	3150PAS-336-2	3200PAS-336-2



#### Cartridge

- Shaft
- Ball bearing (2 pcs.)
- Seal ring
- Seal o-ring
- Monolithic Ring
- Monolithic o-ring
- Spacer
- Spring



#### T-1

- Seal Ring
- Seal O-ring
- Monolithic Ring
- Monolithic O-ring
- Washer
- Spring



#### T-2

- Seal Ring
- Seal O-ring
- Monolithic Ring
- Monolithic O-ring