

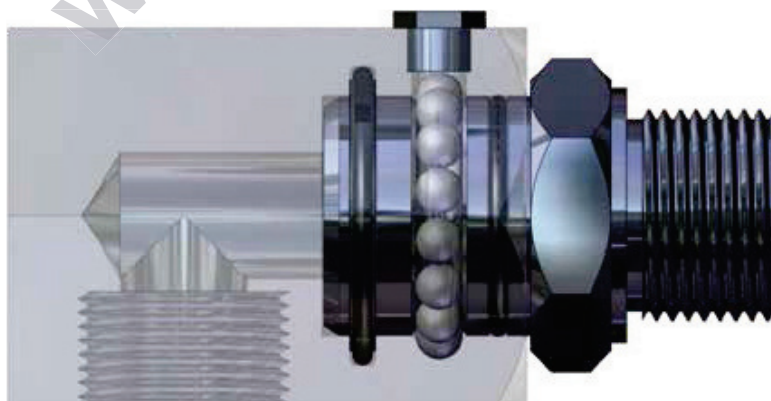
F SERIES SWIVEL JOINT - RADIAL (90°)

HYDRAULIC OIL, LUBRICATING GREASE
1/4" (DN08) - 2 1/2" (DN65)

- Single flow
- Carbon steel or stainless steel components
- Teflon and viton sealing parts
- Low speed
- High pressure
- All threads types are available BSP, NPT, UNF, etc.

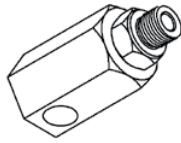


Size	Max. Hydraulic	Max. Temperature	Max. Speed
1/4" (DN08) - 1" (DN25)	350 bar	80 °C	Swivel Rotation 10 rpm/min
1 1/4" (DN32) - 2" (DN50)	150 bar	80 °C	
2 1/2" (DN65)	100 bar	80 °C	

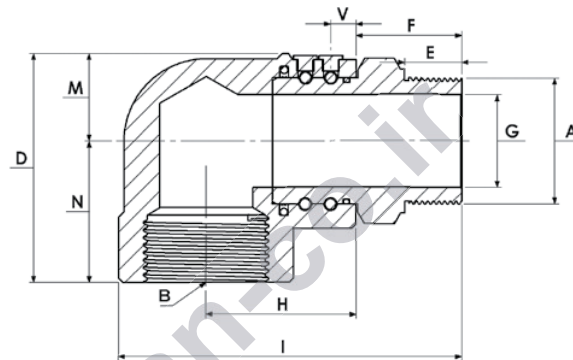
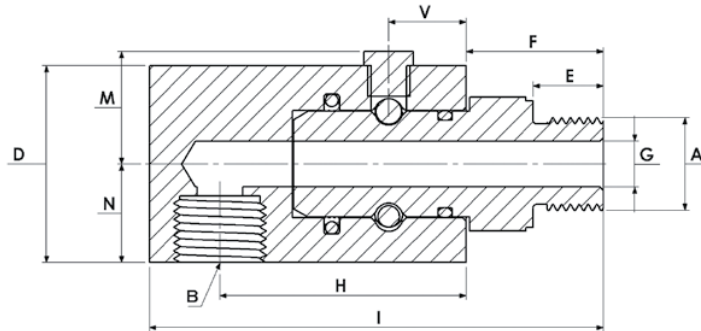


F Series 1/4" (DN08) - 2 1/2" (DN65) 90° Radial Flow Swivel Joints

1/4" (DN08) - 3/4" (DN20)
 Sizes are hexagonal



1" (DN25) - 2 1/2" (DN65)
 Sizes are withelbow



*Custom sized manufacturing are available.

F SERIES SWIVEL JOINT - RADIAL (90°)

Size DN		B	A Shaft	Model No	ØG	D	E	F	M	N	V	H	I	Kg		
8	SINGLE BALL	1/4"	1/4" NPT - RH	F025-111-102	6,50	AA28	10,00	19,50	16,00	14,00	11,00	35,00	64,50	0,25		
			1/4" NPT - LH	F025-111-103												
			1/4" BSP - RH	F025-112-202												
		3/8"	1/4" BSP - LH	F025-112-203												
			3/8" NPT - RH	F037-111-104												
			3/8" NPT - LH	F037-111-105												
10	SINGLE BALL	3/8"	3/8" BSP - RH	F037-112-204	9,00	AA33	10,00	23,50	18,50	16,50	11,00	36,00	74,00	0,37		
			3/8" BSP - LH	F037-112-205												
			1/2" NPT - RH	F050-111-106												
		1/2"	1/2" NPT - LH	F050-111-107												
			1/2" BSP - RH	F050-112-206												
			1/2" BSP - LH	F050-112-207												
15	SINGLE BALL	1/2"	3/4" NPT - RH	F075-111-108	12,00	AA38	12,00	26,00	21,00	19,00	11,00	39,00	80,00	0,55		
			3/4" NPT - LH	F075-111-109												
			3/4" BSP - RH	F075-112-208												
		3/4"	3/4" BSP - LH	F075-112-209												
			1" NPT - RH	F100-111-110												
			1" NPT - LH	F100-111-111												
20	SINGLE BALL	3/4"	1" BSP - RH	F100-112-210	16,00	AA47	17,00	31,50	25,50	23,50	11,00	43,00	97,00	0,95		
			1" BSP - LH	F100-112-211												
			1 1/4" NPT - RH	F125-111-112												
		25	DOUBLE BALL	1"	1 1/4" NPT - LH	F125-111-113	20,00	88,00	24,00	41,50	31,50	56,50	11,00	55,50	128,50	2,10
					1 1/4" BSP - RH	F125-112-212										
					1 1/4" BSP - LH	F125-112-213										
1 1/4"	1 1/2" NPT - RH			F150-111-114												
	1 1/2" NPT - LH			F150-111-115												
	1 1/2" BSP - RH			F150-112-214												
32	DOUBLE BALL	1 1/4"	1 1/2" BSP - LH	F150-112-215	28,00	88,00	24,00	41,50	31,50	56,50	11,00	55,50	128,50	2,10		
			2" NPT - RH	F200-111-116												
			2" NPT - LH	F200-111-117												
		1 1/2"	2" BSP - RH	F200-112-216												
			2" BSP - LH	F200-112-217												
			1 1/2" NPT - RH	F250-111-118												
40	DOUBLE BALL	1 1/2"	1 1/2" NPT - LH	F250-111-119	34,00	98,50	25,00	48,00	36,50	62,00	12,00	60,50	145,00	3,00		
			1 1/2" BSP - RH	F250-112-218												
			1 1/2" BSP - LH	F250-112-219												
		2"	1 1/2" NPT - LH	F250-111-119												
			1 1/2" BSP - RH	F250-112-218												
			1 1/2" BSP - LH	F250-112-219												
50	DOUBLE BALL	2"	1 1/2" NPT - LH	F250-111-119	44,00	108,50	27,00	50,00	41,50	67,00	12,00	71,00	162,50	3,90		
			1 1/2" BSP - RH	F250-112-218												
			1 1/2" BSP - LH	F250-112-219												
		2 1/2"	1 1/2" NPT - LH	F250-111-119												
			1 1/2" BSP - RH	F250-112-218												
			1 1/2" BSP - LH	F250-112-219												
65	DOUBLE BALL	2 1/2"	1 1/2" NPT - LH	F250-111-119	58,00	133,00	30,00	53,00	50,00	83,00	12,00	78,00	181,00	6,50		
			1 1/2" BSP - RH	F250-112-218												
			1 1/2" BSP - LH	F250-112-219												
		2 1/2"	1 1/2" NPT - LH	F250-111-119												
			1 1/2" BSP - RH	F250-112-218												
			1 1/2" BSP - LH	F250-112-219												

F SERIES SWIVEL JOINT - AXIAL (180°)

HYDRAULIC OIL, LUBRICATING GREASE
 1/4" (DN08) - 2 1/2" (DN65)

- Single flow
- Carbon steel or stainless steel components
- Teflon and viton sealing parts
- Low speed
- High pressure
- All threads types are available BSP, NPT, UNF, etc.

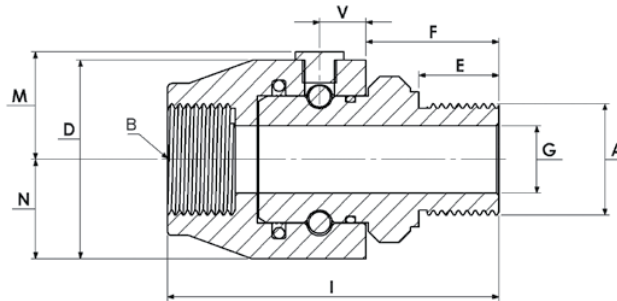
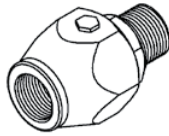


Size	Max. Hydraulic	Max. Temperature	Max. Speed
1/4" (DN08) - 1" (DN25)	350 bar	80 °C	Swivel Rotation 10 rpm/min
1 1/4" (DN32) - 2" (DN50)	150 bar	80 °C	
2 1/2" (DN65)	100 bar	80 °C	

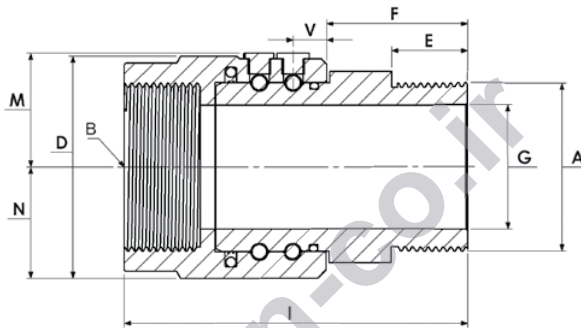
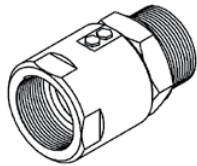


F Series 1/4" (DN08) - 2 1/2" (DN65) 180° Axial Flow Swivel Joints

1/4" (DN08) - 3/4" (DN20)
 Sizes are hexagonal



1" (DN25) - 2 1/2" (DN65)



*Custom sized manufacturing are available.

F SERIES SWIVEL JOINT - AXIAL (180°)

Size DN		B	A Shaft	Model No	ØG	D	E	F	M	N	V	I	Kg	
8	SINGLE BALL	1/4"	1/4" NPT - RH	F025-211-102	6,50	AA28	10,00	19,50	16,00	14,00	11,00	59,50	0,25	
			1/4" NPT - LH	F025-211-103										
			1/4" BSP - RH	F025-212-202										
		10	3/8"	3/8" NPT - RH	F037-211-104	9,00	AA33	10,00	23,50	18,50	16,50	11,00	63,50	0,35
				3/8" NPT - LH	F037-211-105									
				3/8" BSP - RH	F037-212-204									
		15	1/2"	1/2" NPT - RH	F050-211-106	12,00	AA38	12,00	26,00	21,00	19,00	11,00	68,00	0,50
				1/2" NPT - LH	F050-211-107									
				1/2" BSP - RH	F050-212-206									
20	3/4"	3/4" NPT - RH	F075-211-108	16,00	AA47	17,00	31,50	25,50	23,50	11,00	78,50	0,90		
		3/4" NPT - LH	F075-211-109											
		3/4" BSP - RH	F075-212-208											
25	DOUBLE BALL	1"	1" NPT - RH	F100-211-110	20,00	Ø55	21,00	33,50	28,00	27,00	11,00	96,50	0,97	
			1" NPT - LH	F100-211-111										
			1" BSP - RH	F100-212-210										
		32	1 1/4"	1 1/4" NPT - RH	F125-211-112	28,00	Ø60	22,00	41,50	30,50	29,50	11,00	110,00	1,20
				1 1/4" NPT - LH	F125-211-113									
				1 1/4" BSP - RH	F125-212-212									
		40	1 1/2"	1 1/2" NPT - RH	F150-211-114	34,00	Ø70	23,00	48,00	35,50	34,50	12,00	118,00	1,70
				1 1/2" NPT - LH	F150-211-115									
				1 1/2" BSP - RH	F150-212-214									
50	2"	2" NPT - RH	F200-211-116	44,00	Ø80	25,00	50,00	40,50	39,50	12,00	122,00	2,10		
		2" NPT - LH	F200-211-117											
		2" BSP - RH	F200-212-216											
65	2 1/2"	2 1/2" NPT - RH	F250-211-118	58,00	Ø94	28,00	53,00	48,00	47,00	12,00	129,00	2,85		
		2 1/2" NPT - LH	F250-211-119											
		2 1/2" BSP - RH	F250-212-218											
			1 1/2" BSP - LH	F250-212-219										