

H SWIVEL JOINTS - 15° ANGULAR FLEX ROTATION

Water, Hydraulic Oil, Chemical Fluid,
Liquid Food

1/2" (DN15) - 12" (DN300)

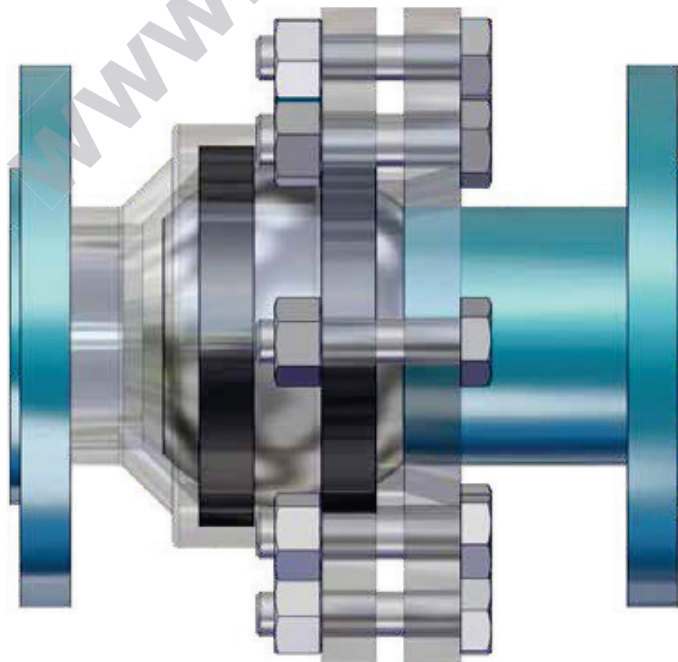
- Single flow ,
- Swiveling motion 360°
- Total angular flex 15° rotation
- Flanged, weld end connection
- Easy replacement of sealing parts
- For poor water quality
- Special sealing components (According to fluid)
- Carbon steel or stainless steel body
- Special inner sealing surface (hardened)
- All flange types are available (DN, ANSI etc..)

** For further information please contact
Rototech or local representative.

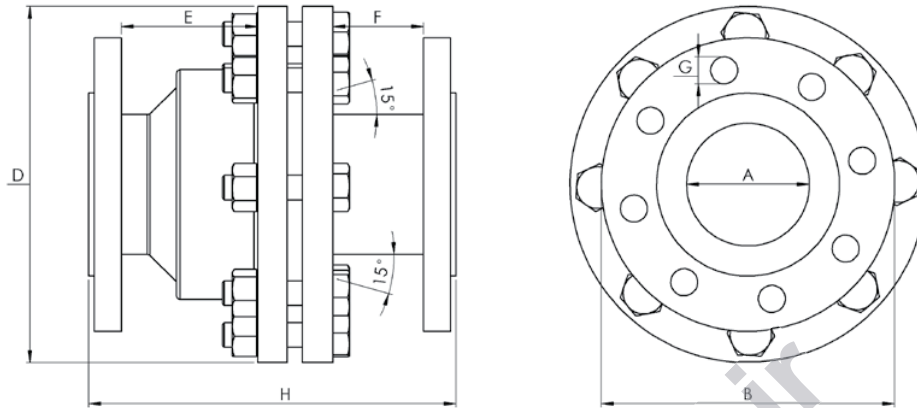


Working Conditions

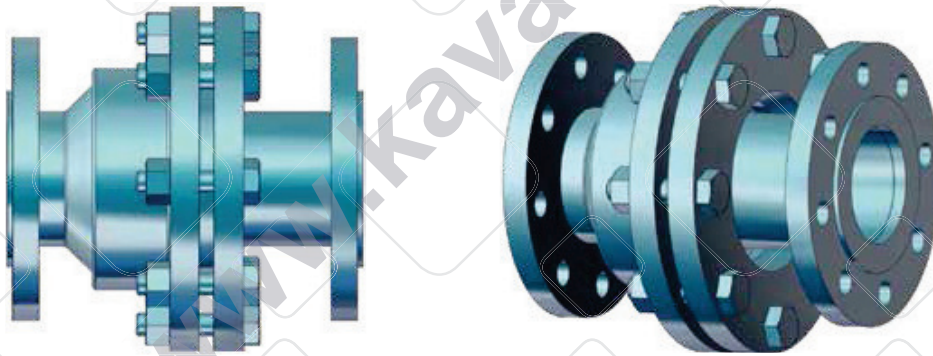
Max. Water Pressure	:	300 bar for 1/2" - 2" 250 bar for 2 1/2" - 5" 100 bar for 6" - 12"
Max. Water Temperature	:	90°C
Max. Speed / RPM	:	1-20 rpm/min. Swivel Rotation



H Series 2" (DN50) - 8" (DN200) 15° Axial Rotation Swivel Joint



*Custom sized manufacturing are available.



H SERIES SWIVEL JOINT - 15° AXIAL ROTATION

A		Code	B	D	E	F	G	H
2"	DN50	HF1650	165	175	86	62	4XØ18	265
2 1/2"	DN65	HF1665	175	190	98	65	8XØ18	271
3"	DN80	HF1680	200	255	102	72	8XØ18	285
4"	DN100	HF16100	229	290	111	74	8XØ19,5	300
6"	DN150	HF16150	285	355	233	133	8XØ22	552
8"	DN200	HF16200	343	395	348	168	8XØ22	630