



# XT.10

## PNEUMATIC BRAKE



- ✓ New generation brake
- ✓ Long life span, 7 years
- ✓ Unmatched performance
- ✓ Very compact dimension
- ✓ Respect for the environment
- ✓ Easy installation
- ✓ Innovative technology
- ✓ Fully patented, design and technology

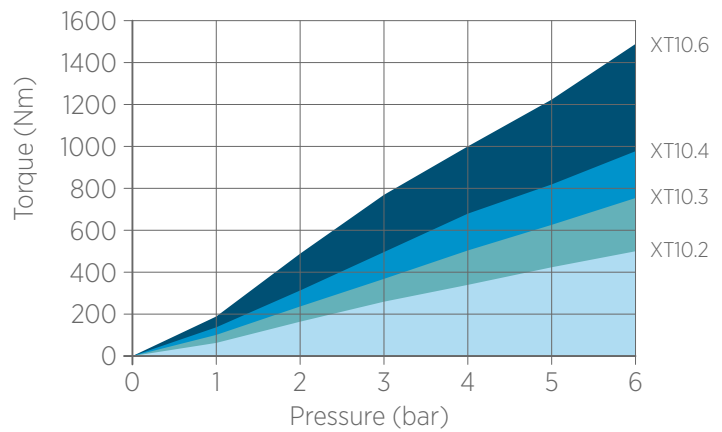
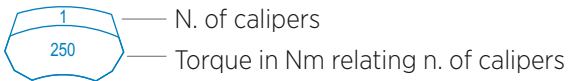
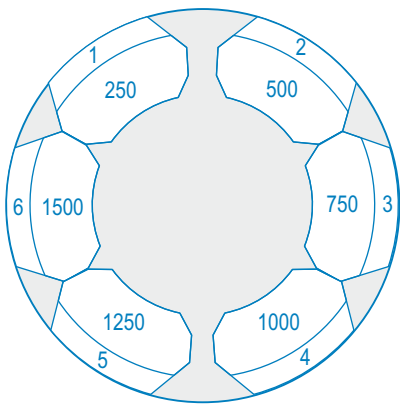
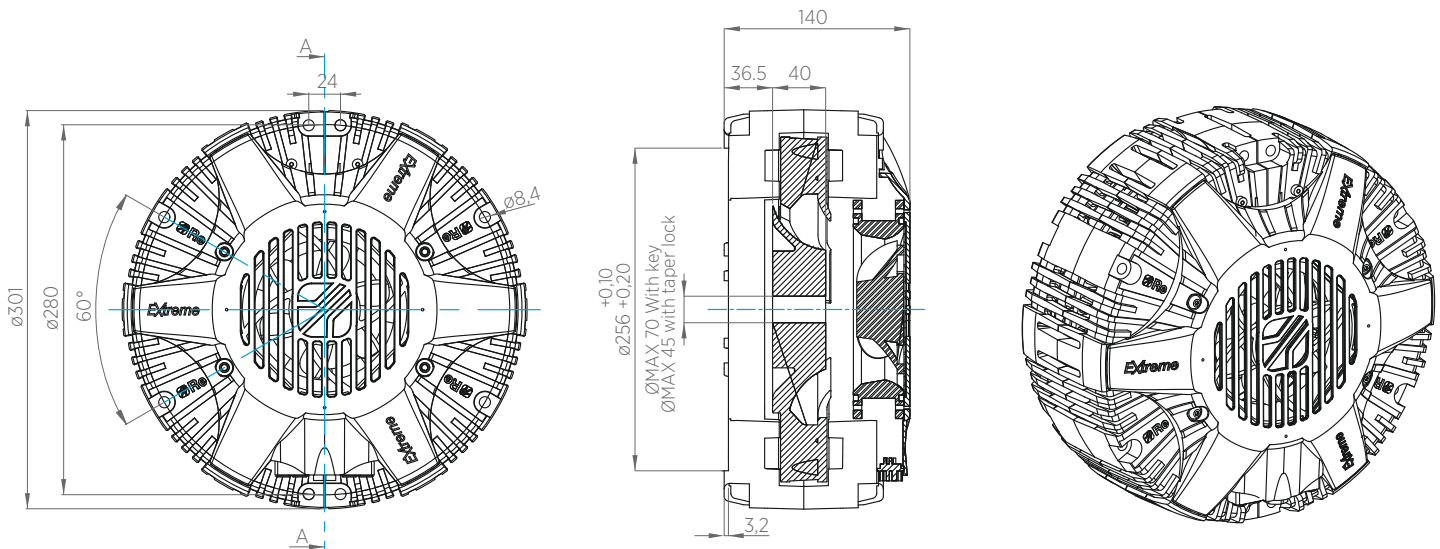
EXtreme, is the new and revolutionary mono disc pneumatic brake designed to reach unmatched performance, very compact size and respect for the environment to guarantee the customer's success.

EXtreme is fully patented, all the details of the brakes have been studied to improve the efficiency: the housing and the disc have been designed to increase the cooling of the brake and to guarantee a compact size; the caliper and the pads have been designed to guarantee a very long life span, almost zero maintenance costs and respect for the environment and the operator's health.

EXtreme XT.10 is the biggest of the family: in 300mm of diameter and 140mm of thickness, it can reach 6 kW of heat dissipation and 1500 Nm of torque and a precise and linear control of the web tension both at low and high torques.

For this features, it is usually used on corrugated board machines, slitter rewinders and all applications that require important braking torque and an high heat dissipation.

# TECHNICAL DRAWING



## TECHNICAL CHARACTERISTICS

Torque max 1 caliper	250 Nm
Torque min 1 caliper	4,166 Nm
Pressure min / max	0,1/6 bar
Max disc rpm	2500 rpm
Total weight	19 kg
Heat dissipation without fan	2 kW
Heat dissipation with 24V fan	6 kW
Heat dissipation with 110V / 220V fan	4,5 kW

\*Data are subject to technical change without notice

\*\* Torque values relate to dynamic slipping



Re S.p.A.  
via Firenze 3  
20060 Bussero (MI) Italy

T +39 02 9524301  
F +39 02 95038986  
E [info@re-spa.com](mailto:info@re-spa.com)

Assistenza tecnica  
Technical support  
T +39 02 952430.300  
E [support@re-spa.com](mailto:support@re-spa.com)

Assistenza commerciale  
Sales support  
T +39 02 952430.200  
E [sales@re-spa.com](mailto:sales@re-spa.com)