



PYXIS

AMPLIFIER FOR LOAD CELL



- ✓ Quick and easy installation
- ✓ High reliability
- ✓ Compact design
- ✓ Ease of use
- ✓ mV or mA inputs and outputs

Pyxis is an analogue amplifier for load cells, microprocessor controlled, compact and easy to use.

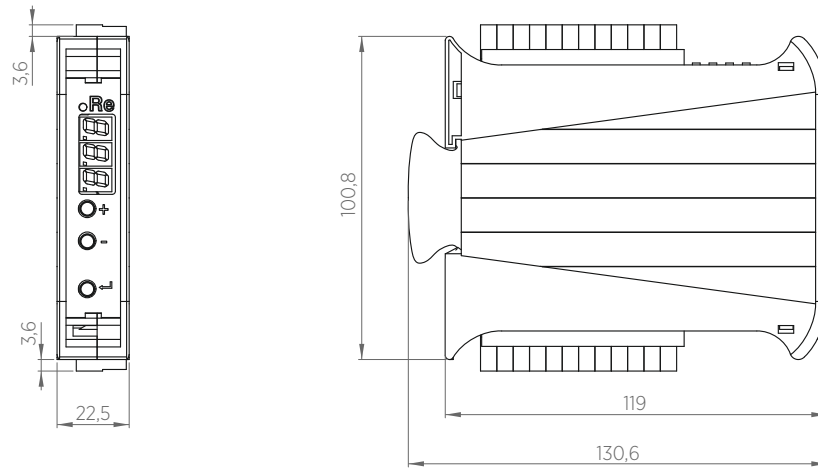
It is installed on flexographic, rotogravure, cutting, etc. machines to detect the tension of the laminates.

Its HW/SW configuration cuts signal processing times and allows up to four load cells to be connected.

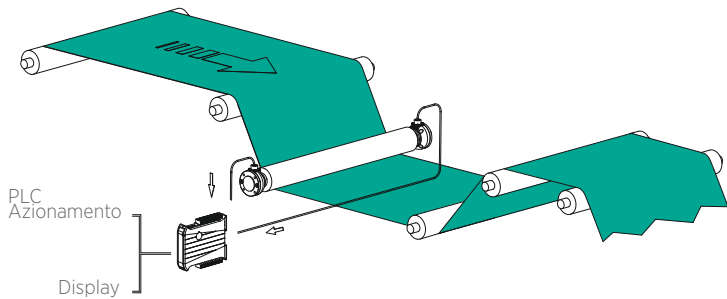
Pyxis has just 3 push-buttons for calibration and programming, and a 3-digit display which at all times shows the function selected or the tensioning value.

Both load cell inputs and outputs for connection to your PLC or actuator system can be selected in voltage (mV) or current (mA).

TECHNICAL DRAWING



APPLICATION



TECHNICAL DATA

Power supply	24 Vdc (18-30 Vdc max)	
Consumption	250 mA max	
Working temperature	0÷50° C	
Analog inputs	0÷60 mV or 4÷40 mA	
Analogue outputs	1 selectable output 2 outputs	0÷10 V or 4÷20 mA 0-10V with adjustable digital filter (updating frequency 6Hz÷2kHz) for remote display or amplified input
Digital output	2 relay outputs	24 Vdc or Vac / 100 mA max

*Data are subject to technical change without notice