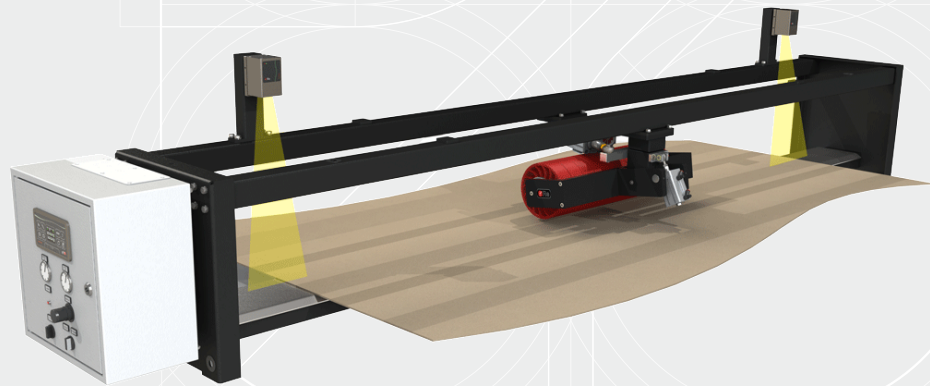




# RECORR

## WEB GUIDING SYSTEM



- ✓ perfect alignment of layers before their joining
- ✓ Fish-eye camera sensors and control panel with MWG.10
- ✓ complete system for a quick and easy installation
- ✓ used for single wall or in master-slave configuration
- ✓ can be installed on new machine and as retrofit on old ones

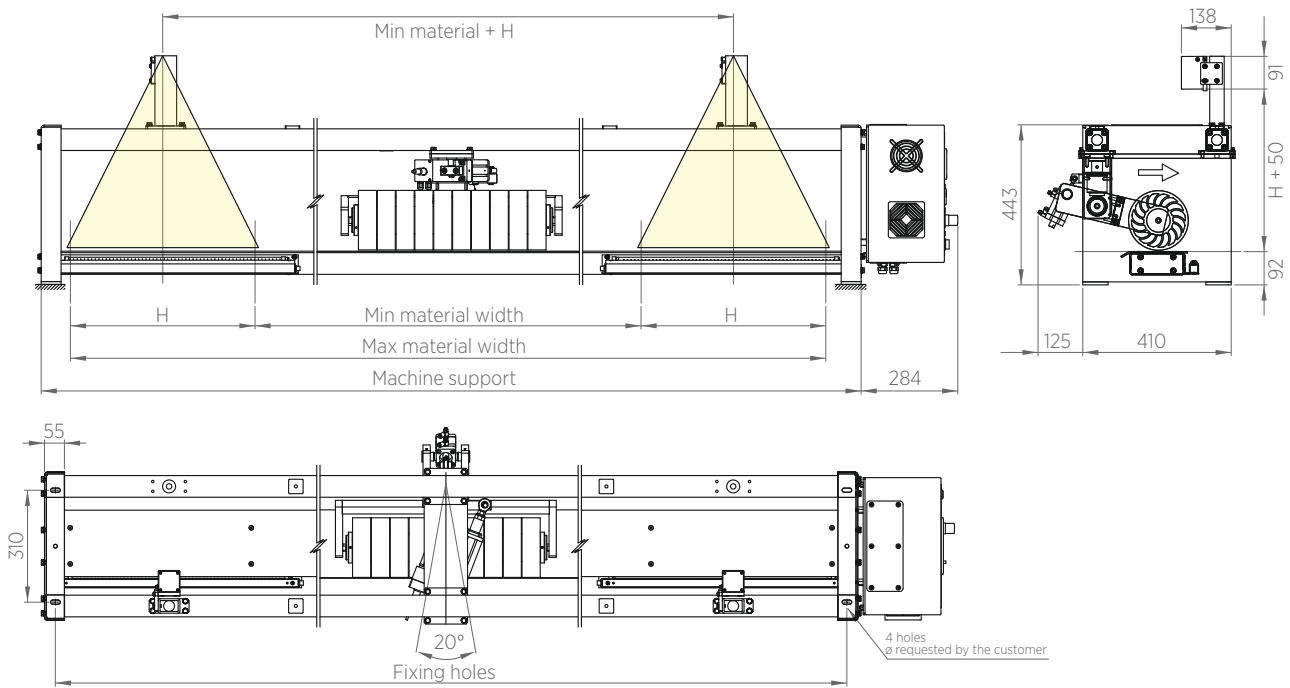
The ReCorr web guide system installed at the exit of the web bridge of corrugated cardboard machinery, has the ability to reduce waste caused by continuous interruptions during the process. The centre guide system developed by Re, is able to control the positioning of the layers avoiding to stop the productive line both in case of material brakes, due to the collision with the lateral guides, and during width changes, which often cause glue wastes.

The metallic frame consists of a motorised guide group, two FISH-EYE (CCD) wide angle reading sensors and a box containing a control system and solenoids.

The system is supplied as a Plug & Play solution which is mechanically assembled and pre-wired to allow an easy installation. ReCorr can be supplied for single wall control or in a "Master - Slave" configuration when the single faces are guided from a reference given by the outer line which, due to the sensors, acts as the master relative to single wall web.

Accordingly to the web width excursion of the application, the system can be provided with fish-eye sensor with 3 different oprics or with motorized movement to follow the edge of the material.

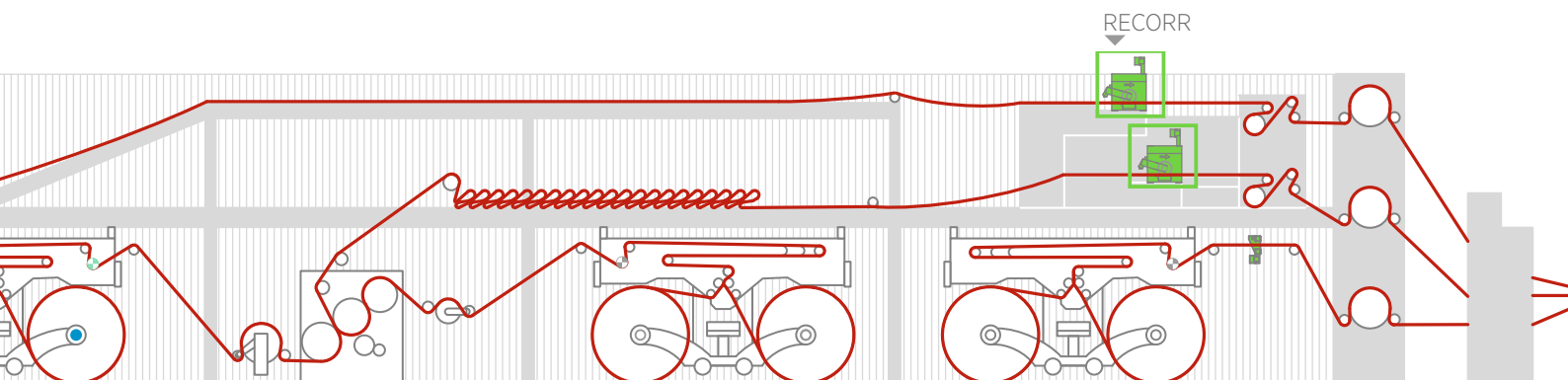
## RECORR FRAME (Slave)



## TECHNICAL CHARACTERISTICS

Power supply and consumption	24 Vdc - 8A
Max web excursion	1000mm
Guiding mode	web center line - border line optional: with reference to outer line
Max LED lamp lenght	600mm
Fish-eye max height	600mm
Min sensor resolution	0,3mm
Response time	2 msec
Communication	CAN bus (Controller Area Network)
Wheels unit max rotation angle	20°
Operating temperature	10+50° C
Max air pressure	6 bar

\*Data are subject to technical change without notice



Re S.p.A.  
via Firenze 3  
20060 Bussero (MI) Italy

T +39 02 9524301  
F +39 02 95038986  
E [info@re-spa.com](mailto:info@re-spa.com)

Assistenza tecnica  
Technical support  
T +39 02 952430.300  
E [support@re-spa.com](mailto:support@re-spa.com)

Assistenza commerciale  
Sales support  
T +39 02 952430.200  
E [sales@re-spa.com](mailto:sales@re-spa.com)