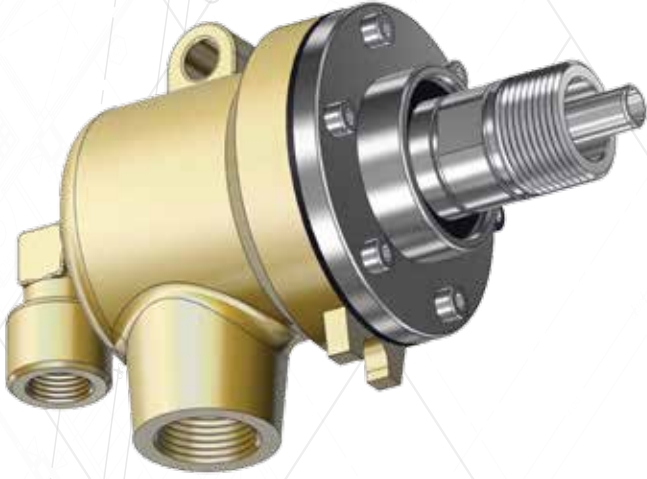


4000 SERİSİ

BUHAR VE KIZGIN YAĞ İÇİN DÖNER SIZDIRMAZLIK BAŞLIKLARI



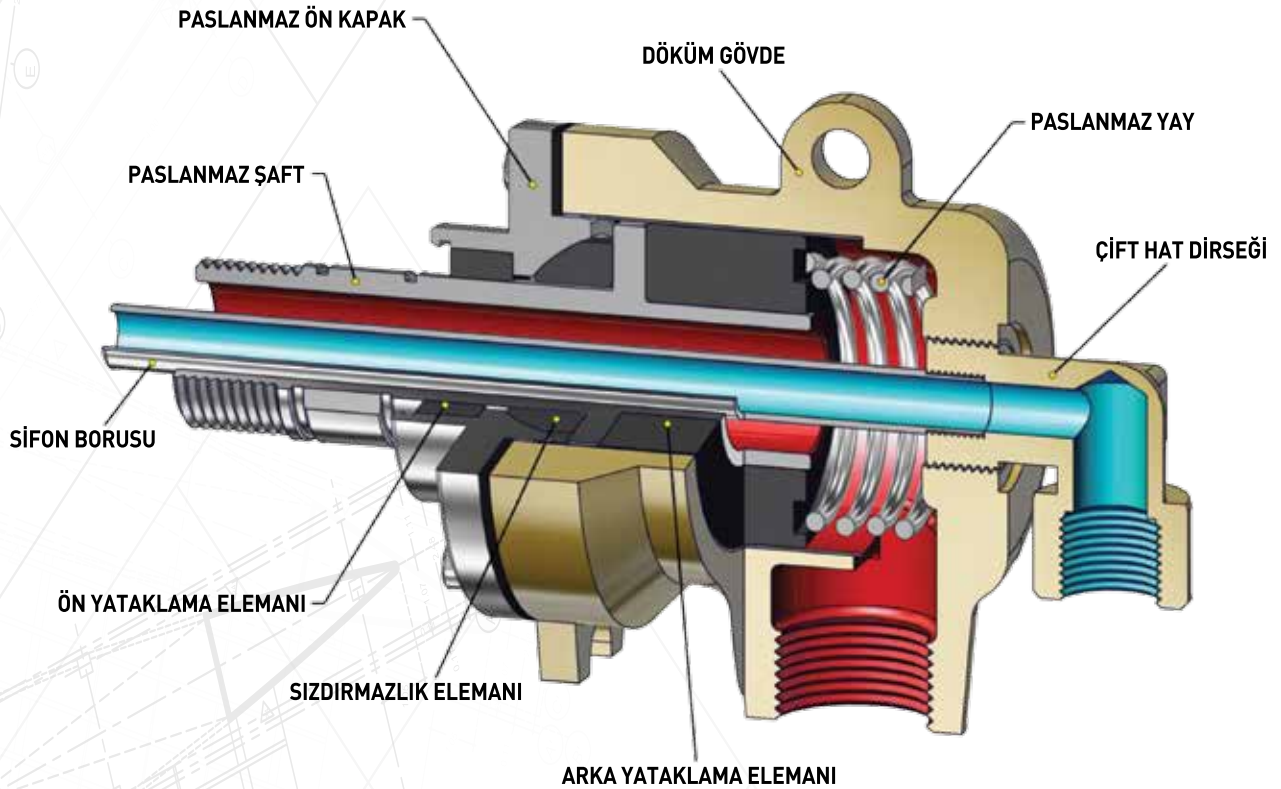
- Kağıt, Tekstil, Plastik, Oluklu sektörleri makinaları için özel modelli seri
- Tek ve çift hat geçişi
- İç destekli sızdırmazlık ve yataklama
- Paslanmaz çelik shaft ve aksam
- Sfero döküm gövde
- Geniş ölçü ve dış tipi olanağı
- Karbon grafit (Reçineli, antimuanlı) konik sızdırmazlıklar
- Yüksek ısı dayanımlı tasarım

ÇALIŞMA ÖZELLİKLERİ

| | |
|----------------------------|-----------|
| Maks. Basınc, Buhar | : 17 Bar |
| Maks. Sıcaklık, Buhar | : 180° |
| Maks. Devir | : 400 Rpm |
| Maks. Basınc, Kızgın Yağ | : 7 Bar |
| Maks. Sıcaklık, Kızgın Yağ | : 250° |
| Maks. Devir, Kızgın Yağ | : 400 Rpm |



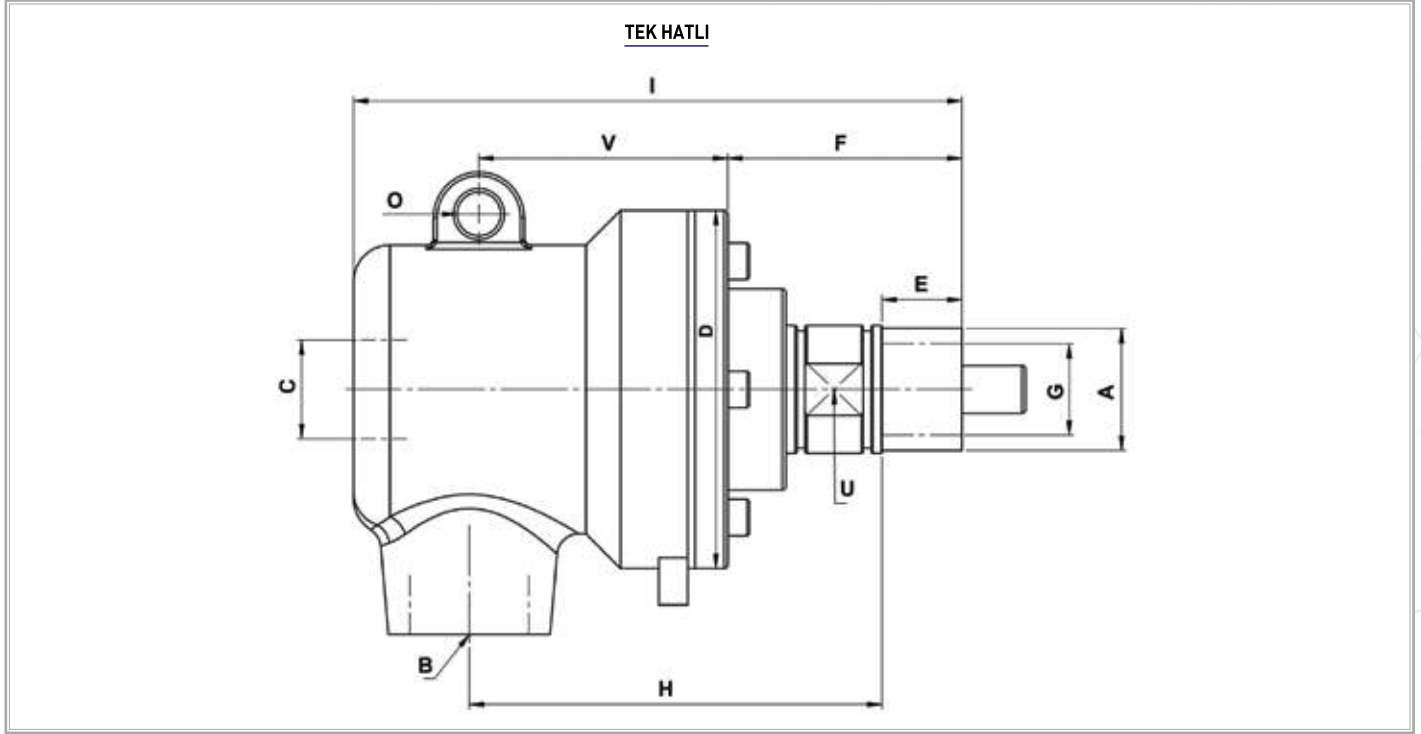
Maksimum basınc ve Rpm, beraber kullanılmaz.



* Tek hatlı modeller için gövdenin arka çıkışlarından kullanılmayana kör tapa takmak gereklidir.

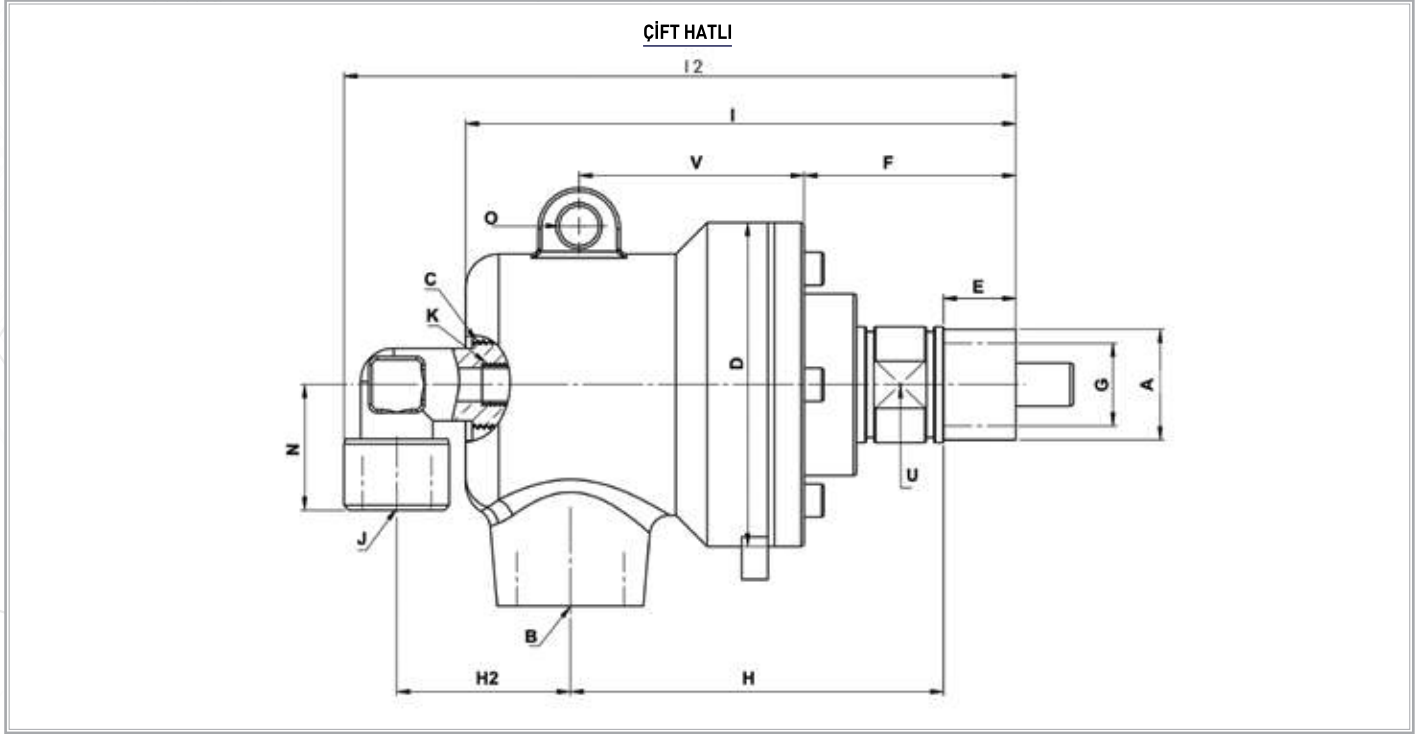
* Çift hatlı modellerde çift hat ekleme dirseği kullanılır. İçi sabit sifonlu ve döner sifon borulu sistemi seçilebilir.

* Çeşitli dış ve bağlantı tipleri (Metrik, UNF, ..Flanşlı, yarım ay flanşlı, gövdeden flanşlı vs..) mevcuttur, iletişime geçiniz..



| ÖLÇÜ DN | B | 4000 | 4000 HO | A - ŞAFT | C | D Ø | I | E | F | G Ø | U | H | KG |
|------------|------------|--------------|-----------------|-----------------|--------|-----|-----|----|----|-----|----|-----|------|
| 15 | 1/2" NPT | 4050-110-106 | 4050-110-106 HO | 1/2" NPT- Sağ | 3/8" | 92 | 145 | 20 | 60 | 15 | 22 | 99 | 2,07 |
| | | 4050-110-107 | 4050-110-107 HO | 1/2" NPT- Sol | 3/8" | 92 | 145 | 20 | 60 | 15 | 22 | 99 | 2,07 |
| | | 4050-110-100 | 4050-110-100 HO | QR - 24mm | 3/8" | 92 | 145 | | 60 | 15 | | | 2,07 |
| | 1/2" BSP | 4050-210-206 | 4050-210-206 HO | 1/2" BSP- Sağ | 3/8" | 92 | 145 | 20 | 60 | 15 | 22 | 99 | 2,07 |
| | | 4050-210-207 | 4050-210-207 HO | 1/2" BSP- Sol | 3/8" | 92 | 145 | 20 | 60 | 15 | 22 | 99 | 2,07 |
| | | 4050-210-100 | 4050-210-100 HO | QR - 24mm | 3/8" | 92 | 145 | | 60 | 15 | | | 2,07 |
| 20 | 3/4" NPT | 4075-110-108 | 4075-110-108 HO | 3/4" NPT- Sağ | 1/2" | 92 | 156 | 20 | 62 | 18 | 27 | 105 | 2,85 |
| | | 4075-110-109 | 4075-110-109 HO | 3/4" NPT- Sol | 1/2" | 92 | 156 | 20 | 62 | 18 | 27 | 105 | 2,85 |
| | | 4075-110-100 | 4075-110-100 HO | QR - 30mm | 1/2" | 92 | 156 | | 62 | 18 | | | 2,85 |
| | 3/4" BSP | 4075-210-208 | 4075-210-208 HO | 3/4" BSP- Sağ | 1/2" | 92 | 156 | 20 | 62 | 18 | 27 | 105 | 2,85 |
| | | 4075-210-209 | 4075-210-209 HO | 3/4" BSP- Sol | 1/2" | 92 | 156 | 20 | 62 | 18 | 27 | 105 | 2,85 |
| | | 4075-210-100 | 4075-210-100 HO | QR - 30mm | 1/2" | 92 | 156 | | 62 | 18 | | | 2,85 |
| 25 | 1" NPT | 4100-110-110 | 4100-110-110 HO | 1" NPT- Sağ | 3/4" | 98 | 167 | 22 | 64 | 25 | 32 | 114 | 3,7 |
| | | 4100-110-111 | 4100-110-111 HO | 1" NPT- Sol | 3/4" | 98 | 167 | 22 | 64 | 25 | 32 | 114 | 3,7 |
| | | 4100-110-100 | 4100-110-100 HO | QR - 35mm | 3/4" | 98 | 167 | | 64 | 25 | | | 3,7 |
| | 1" BSP | 4100-210-210 | 4100-210-210 HO | 1" BSP- Sağ | 3/4" | 98 | 167 | 22 | 64 | 25 | 32 | 114 | 3,7 |
| | | 4100-210-211 | 4100-210-211 HO | 1" BSP- Sol | 3/4" | 98 | 167 | 22 | 64 | 25 | 32 | 114 | 3,7 |
| | | 4100-210-100 | 4100-210-100 HO | QR - 35mm | 3/4" | 98 | 167 | | 64 | 25 | | | 3,7 |
| 32 | 1 1/4" NPT | 4125-110-112 | 4125-110-112 HO | 1 1/4" NPT- Sağ | 1" | 110 | 190 | 25 | 73 | 32 | 41 | 128 | 5,4 |
| | | 4125-110-113 | 4125-110-113 HO | 1 1/4" NPT- Sol | 1" | 110 | 190 | 25 | 73 | 32 | 41 | 128 | 5,4 |
| | | 4125-110-100 | 4125-110-100 HO | QR - 45mm | 1" | 110 | 190 | | 73 | 32 | | | 5,4 |
| | 1 1/4" BSP | 4125-210-212 | 4125-210-212 HO | 1 1/4" BSP- Sağ | 1" | 110 | 190 | 25 | 73 | 32 | 41 | 128 | 5,4 |
| | | 4125-210-213 | 4125-210-213 HO | 1 1/4" BSP- Sol | 1" | 110 | 190 | 25 | 73 | 32 | 41 | 128 | 5,4 |
| | | 4125-210-100 | 4125-210-100 HO | QR - 45mm | 1" | 110 | 190 | | 73 | 32 | | | 5,4 |
| 40 | 1 1/2" NPT | 4150-110-114 | 4150-110-114 HO | 1 1/2" NPT- Sağ | 1 1/4" | 138 | 206 | 27 | 72 | 38 | 46 | 108 | 8,2 |
| | | 4150-110-115 | 4150-110-115 HO | 1 1/2" NPT- Sol | 1 1/4" | 138 | 206 | 27 | 72 | 38 | 46 | 108 | 8,2 |
| | | 4150-110-100 | 4150-110-100 HO | QR - 50mm | 1 1/4" | 138 | 206 | | 72 | 38 | | | 8,2 |
| | 1 1/2" BSP | 4150-210-214 | 4150-210-214 HO | 1 1/2" BSP- Sağ | 1 1/4" | 138 | 206 | 27 | 72 | 38 | 46 | 138 | 8,2 |
| | | 4150-210-215 | 4150-210-215 HO | 1 1/2" BSP- Sol | 1 1/4" | 138 | 206 | 27 | 72 | 38 | 46 | 138 | 8,2 |
| | | 4150-210-100 | 4150-210-100 HO | QR - 50mm | 1 1/4" | 138 | 206 | | 72 | 38 | | | 8,2 |
| 50 | 2" NPT | 4200-110-116 | 4200-110-116 HO | 2" NPT- Sağ | 1 1/2" | 158 | 242 | 30 | 81 | 49 | 60 | 159 | 13,7 |
| | | 4200-110-117 | 4200-110-117 HO | 2" NPT- Sol | 1 1/2" | 158 | 242 | 30 | 81 | 49 | 60 | 159 | 13,7 |
| | | 4200-110-100 | 4200-110-100 HO | QR - 65mm | 1 1/2" | 158 | 242 | | 81 | 49 | | | 13,7 |
| | 2" BSP | 4200-210-216 | 4200-210-216 HO | 2" BSP- Sağ | 1 1/2" | 158 | 242 | 30 | 81 | 49 | 60 | 159 | 13,7 |
| | | 4200-210-217 | 4200-210-217 HO | 2" BSP- Sol | 1 1/2" | 158 | 242 | 30 | 81 | 49 | 60 | 159 | 13,7 |
| | | 4200-210-100 | 4200-210-100 HO | QR - 65mm | 1 1/2" | 158 | 242 | | 81 | 49 | | | 13,7 |

* QR (Yarımay Flanş Takımlı) Bağlantı detayları için 37. sayfaya bakınız.



| ÖLÇÜ DN | B | J | 4000 | 4000 HO | A - ŞAFT | C | D Ø | I | I2 | E | F | G Ø | K | N | U | H | H2 | O | KG |
|---------|------------|------|---------------|------------------|----------------|--------|-----|-----|-----|----|----|------|------|------|----|-----|------|----|-------|
| 15 | 1/2" NPT | 3/8" | 4050-110-106D | 4050-110-106D HO | 1/2" NPT-Sağ | 3/8" | 92 | 145 | 173 | 20 | 60 | 15 | 1/4" | 31,5 | 22 | 99 | 43 | 12 | 2,30 |
| | | 3/8" | 4050-110-107D | 4050-110-107D HO | 1/2" NPT-Sol | 3/8" | 92 | 145 | 173 | 20 | 60 | 15 | 1/4" | 31,5 | 22 | 99 | 43 | 12 | 2,30 |
| | | 3/8" | 4050-110-100D | 4050-110-100D HO | QR- 24mm | 3/8" | 92 | 145 | 173 | 60 | 15 | 1/4" | 31,5 | | | | 43 | 12 | 2,30 |
| | 1/2" BSP | 3/8" | 4050-210-206D | 4050-210-206D HO | 1/2" BSP-Sağ | 3/8" | 92 | 145 | 173 | 20 | 60 | 15 | 1/4" | 31,5 | 22 | 99 | 43 | 12 | 2,30 |
| | | 3/8" | 4050-210-207D | 4050-210-207D HO | 1/2" BSP-Sol | 3/8" | 92 | 145 | 173 | 20 | 60 | 15 | 1/4" | 31,5 | 22 | 99 | 43 | 12 | 2,30 |
| | | 3/8" | 4050-210-100D | 4050-210-100D HO | QR- 24mm | 3/8" | 92 | 145 | 173 | 60 | 15 | 1/4" | 31,5 | | | | 43 | 12 | 2,30 |
| 20 | 3/4" NPT | 3/8" | 4075-110-108D | 4075-110-108D HO | 3/4" NPT-Sağ | 1/2" | 92 | 156 | 189 | 20 | 62 | 18 | 1/4" | 33 | 27 | 105 | 50,5 | 12 | 3,00 |
| | | 3/8" | 4075-110-109D | 4075-110-109D HO | 3/4" NPT-Sol | 1/2" | 92 | 156 | 189 | 20 | 62 | 18 | 1/4" | 33 | 27 | 105 | 50,5 | 12 | 3,00 |
| | | 3/8" | 4075-110-100D | 4075-110-100D HO | QR- 30mm | 1/2" | 92 | 156 | 189 | 62 | 18 | 1/4" | 33 | | | | 50,5 | 12 | 3,00 |
| | 3/4" BSP | 3/8" | 4075-210-208D | 4075-210-208D HO | 3/4" BSP-Sağ | 1/2" | 92 | 156 | 189 | 20 | 62 | 18 | 1/4" | 33 | 27 | 105 | 50,5 | 12 | 3,00 |
| | | 3/8" | 4075-210-209D | 4075-210-209D HO | 3/4" BSP-Sol | 1/2" | 92 | 156 | 189 | 20 | 62 | 18 | 1/4" | 33 | 27 | 105 | 50,5 | 12 | 3,00 |
| | | 3/8" | 4075-210-100D | 4075-210-100D HO | QR- 30mm | 1/2" | 92 | 156 | 189 | 62 | 18 | 1/4" | 33 | | | | 50,5 | 12 | 3,00 |
| 25 | 1" NPT | 1/2" | 4100-110-110D | 4100-110-110D HO | 1" NPT-Sağ | 3/4" | 98 | 167 | 204 | 22 | 64 | 25 | 3/8" | 38 | 32 | 114 | 53 | 12 | 3,85 |
| | | 1/2" | 4100-110-111D | 4100-110-111D HO | 1" NPT-Sol | 3/4" | 98 | 167 | 204 | 22 | 64 | 25 | 3/8" | 38 | 32 | 114 | 53 | 12 | 3,85 |
| | | 1/2" | 4100-110-100D | 4100-110-100D HO | QR- 35mm | 3/4" | 98 | 167 | 204 | 64 | 25 | 3/8" | 38 | | | | 53 | 12 | 3,85 |
| | 1" BSP | 1/2" | 4100-210-210D | 4100-210-210D HO | 1" BSP-Sağ | 3/4" | 98 | 167 | 204 | 22 | 64 | 25 | 3/8" | 38 | 32 | 114 | 53 | 12 | 3,85 |
| | | 1/2" | 4100-210-211D | 4100-210-211D HO | 1" BSP-Sol | 3/4" | 98 | 167 | 204 | 22 | 64 | 25 | 3/8" | 38 | 32 | 114 | 53 | 12 | 3,85 |
| | | 1/2" | 4100-210-100D | 4100-210-100D HO | QR- 35mm | 3/4" | 98 | 167 | 204 | 64 | 25 | 3/8" | 38 | | | | 53 | 12 | 3,85 |
| 32 | 1 1/4" NPT | 1/2" | 4125-110-112D | 4125-110-112D HO | 1 1/4" NPT-Sağ | 1" | 110 | 190 | 227 | 25 | 73 | 32 | 1/2" | 38 | 41 | 128 | 58,5 | 15 | 5,40 |
| | | 1/2" | 4125-110-113D | 4125-110-113D HO | 1 1/4" NPT-Sol | 1" | 110 | 190 | 227 | 25 | 73 | 32 | 1/2" | 38 | 41 | 128 | 58,5 | 15 | 5,40 |
| | | 1/2" | 4125-110-100D | 4125-110-100D HO | QR- 45mm | 1" | 110 | 190 | 227 | 73 | 32 | 1/2" | 38 | | | | 58,5 | 15 | 5,40 |
| | 1 1/4" BSP | 1/2" | 4125-210-212D | 4125-210-212D HO | 1 1/4" BSP-Sağ | 1" | 110 | 190 | 227 | 25 | 73 | 32 | 1/2" | 38 | 41 | 128 | 58,5 | 15 | 5,40 |
| | | 1/2" | 4125-210-213D | 4125-210-213D HO | 1 1/4" BSP-Sol | 1" | 110 | 190 | 227 | 25 | 73 | 32 | 1/2" | 38 | 41 | 128 | 58,5 | 15 | 5,40 |
| | | 1/2" | 4125-210-100D | 4125-210-100D HO | QR- 45mm | 1" | 110 | 190 | 227 | 73 | 32 | 1/2" | 38 | | | | 58,5 | 15 | 5,40 |
| 40 | 1 1/2" NPT | 3/4" | 4150-110-114D | 4150-110-114D HO | 1 1/2" NPT-Sağ | 1 1/4" | 138 | 206 | 257 | 27 | 72 | 38 | 3/4" | 45 | 46 | 138 | 70,5 | 15 | 8,90 |
| | | 3/4" | 4150-110-115D | 4150-110-115D HO | 1 1/2" NPT-Sol | 1 1/4" | 138 | 206 | 257 | 27 | 72 | 38 | 3/4" | 45 | 46 | 138 | 70,5 | 15 | 8,90 |
| | | 3/4" | 4150-110-100D | 4150-110-100D HO | QR- 50mm | 1 1/4" | 138 | 206 | 257 | 72 | 38 | 3/4" | 45 | | | | 70,5 | 15 | 8,90 |
| | 1 1/2" BSP | 3/4" | 4150-210-214D | 4150-210-214D HO | 1 1/2" BSP-Sağ | 1 1/4" | 138 | 206 | 257 | 27 | 72 | 38 | 3/4" | 45 | 46 | 138 | 70,5 | 15 | 8,90 |
| | | 3/4" | 4150-210-215D | 4150-210-215D HO | 1 1/2" BSP-Sol | 1 1/4" | 138 | 206 | 257 | 27 | 72 | 38 | 3/4" | 45 | 46 | 138 | 70,5 | 15 | 8,90 |
| | | 3/4" | 4150-210-100D | 4150-210-100D HO | QR-50mm | 1 1/4" | 138 | 206 | 257 | 72 | 38 | 3/4" | 45 | | | | 70,5 | 15 | 8,90 |
| 50 | 2" NPT | 1" | 4200-110-116D | 4200-110-116D HO | 2" NPT-Sağ | 1 1/2" | 158 | 242 | 295 | 30 | 81 | 49 | 1" | 45 | 60 | 159 | 82 | 15 | 14,20 |
| | | 1" | 4200-110-117D | 4200-110-117D HO | 2" NPT-Sol | 1 1/2" | 158 | 242 | 295 | 30 | 81 | 49 | 1" | 45 | 60 | 159 | 82 | 15 | 14,20 |
| | | 1" | 4200-110-100D | 4200-110-100D HO | QR-65mm | 1 1/2" | 158 | 242 | 295 | 81 | 49 | 1" | 45 | | | | 82 | 15 | 14,20 |
| | 2" BSP | 1" | 4200-210-216D | 4200-210-216D HO | 2" BSP-Sağ | 1 1/2" | 158 | 242 | 295 | 30 | 81 | 49 | 1" | 45 | 60 | 159 | 82 | 15 | 14,20 |
| | | 1" | 4200-210-217D | 4200-210-217D HO | 2" BSP-Sol | 1 1/2" | 158 | 242 | 295 | 30 | 81 | 49 | 1" | 45 | 60 | 159 | 82 | 15 | 14,20 |
| | | 1" | 4200-210-100D | 4200-210-100D HO | QR-65mm | 1 1/2" | 158 | 242 | 295 | 81 | 49 | 1" | 45 | | | | 82 | 15 | 14,20 |

* QR (Yarımay Flans Takımlı) Bağlantı detayları için 37. sayfaya bakınız.